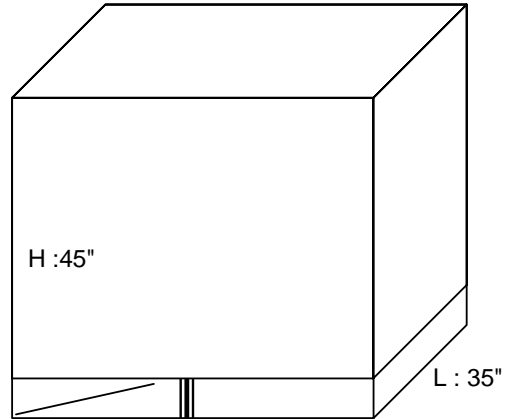


MARK - VII, 400 MM PACKING DETAILS

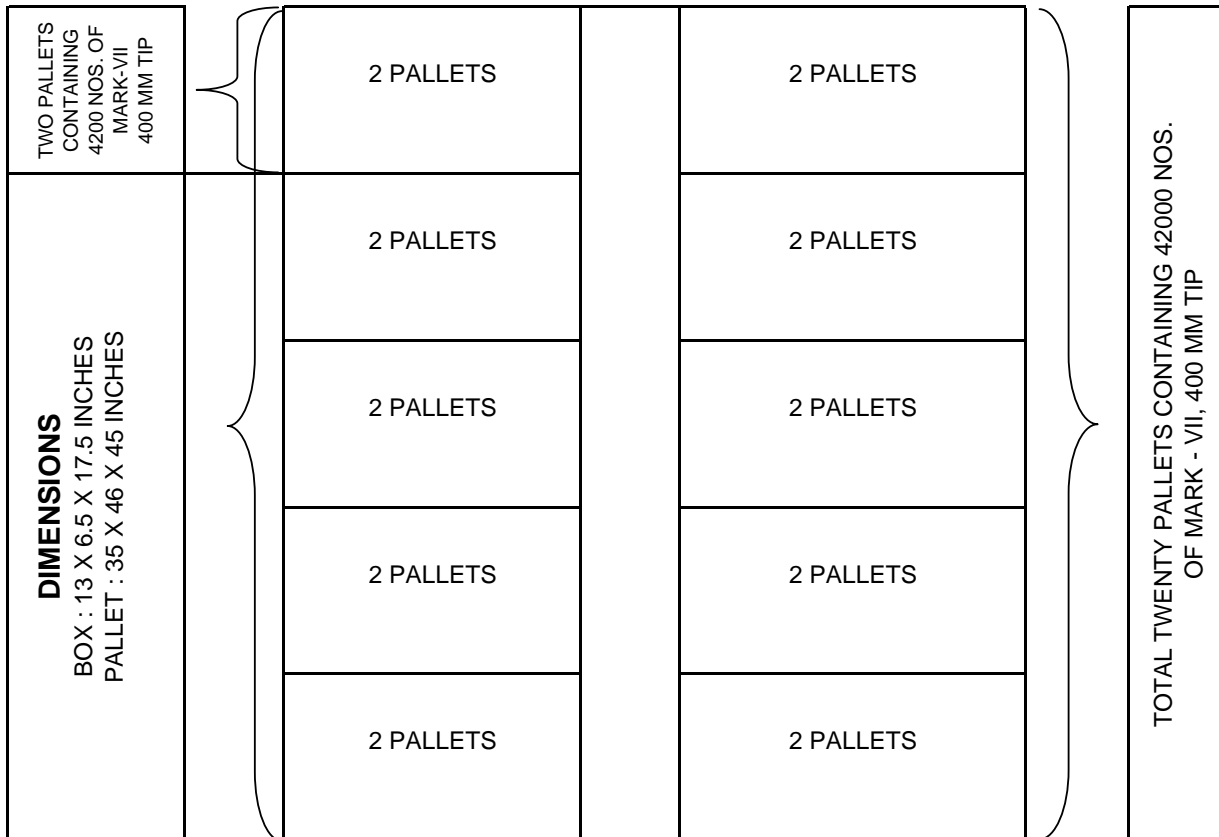
Ajay Syscon Private Limited
 [A Joint Venture with Syscon International Inc. U.S.A.]
 Survey No. 147/1&2, Shembekar Industrial Compound
 Chinchwad, Pune - 411 019, India
 Tel. No. +91 20 2543 9582 / 2543 9583
 Fax No. +91 20 2543 9581
 E-mail : steel@metachem.in Website : www.metachem.in



1	2	3	4	5	6	7
8	9	10	11	12	13	14
14	X	3	42	50	2100	
BOX		LAYER	BOXES /PALLET	NOS/BOX	NOS/PALLET	



B : 46"
LXBXH : 35 X 46 X 45 INCHES



20' GP - DOOR SIDE