

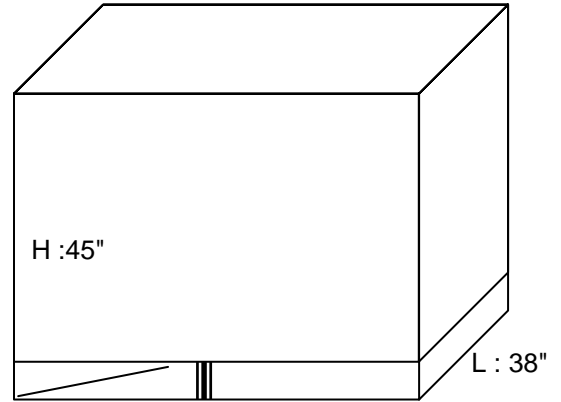
MARK - VII, 900 MM PACKING DETAILS

Ajay Syscon Private Limited

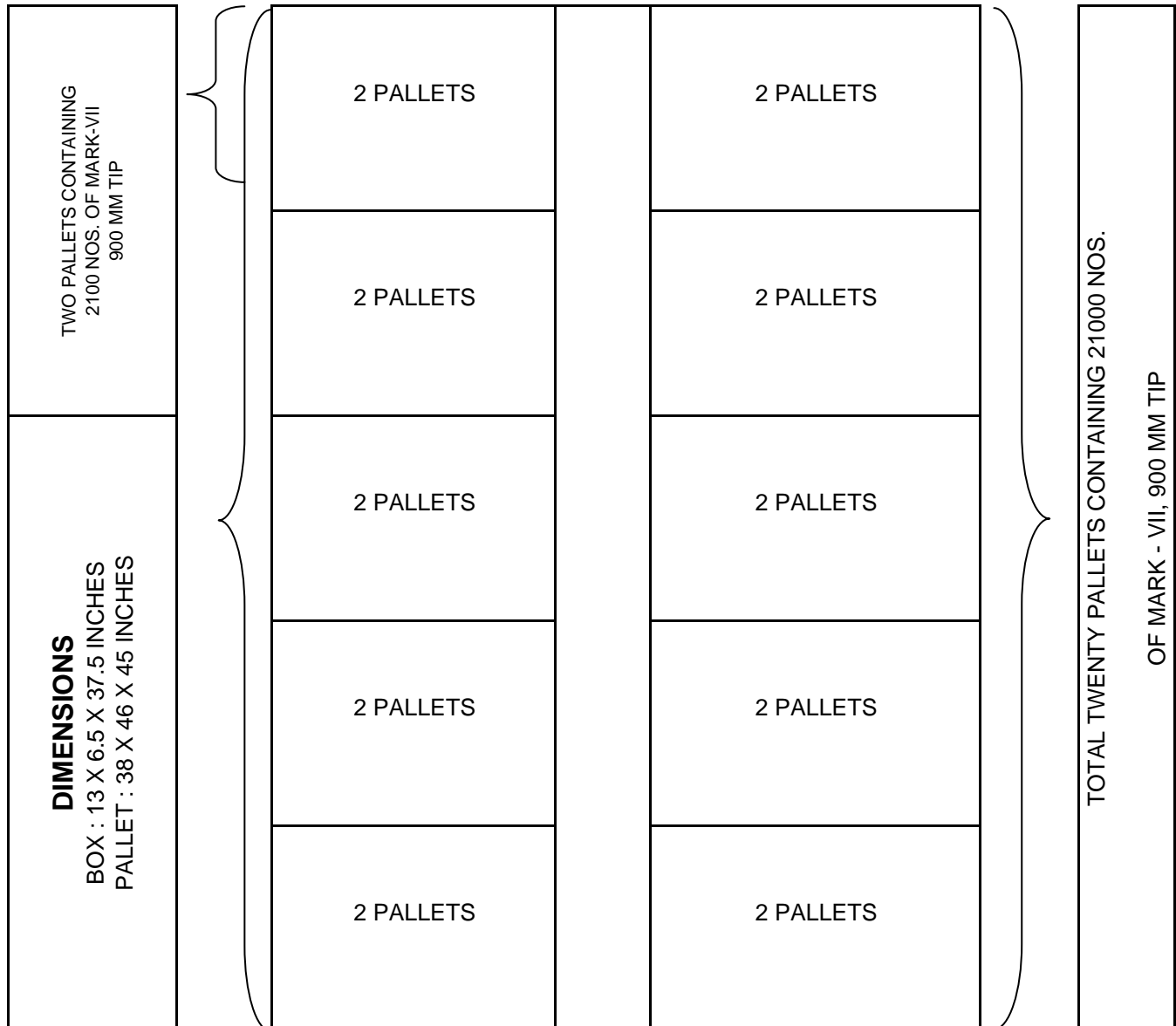
(A Joint Venture with Syscon International Inc. U.S.A.)
Survey No. 147/1&2, Shembekar Industrial Compound
Chinchwad, Pune - 411 019, India
Tel. No. +91 20 2543 9582 / 2543 9583
Fax No. +91 20 2543 9581
E-mail : steel@metachem.in Website : www.metachem.in



1	2	3	4	5	6	7
7	X	3	21	50	1050	
BOX		LAYER	BOXES /PALLET	NOS/BOX	NOS/PALLET	



B : 46"
LXBXH : 38 X 46 X 45 INCHES



20' GP - DOOR SIDE