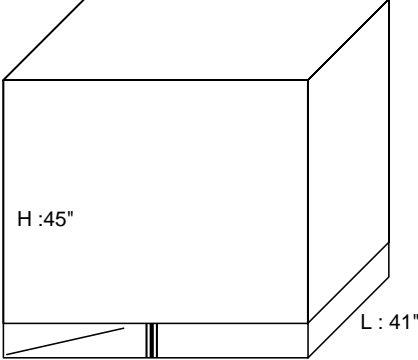


**SAFE-TIP 300 MM
PACKING DETAILS**

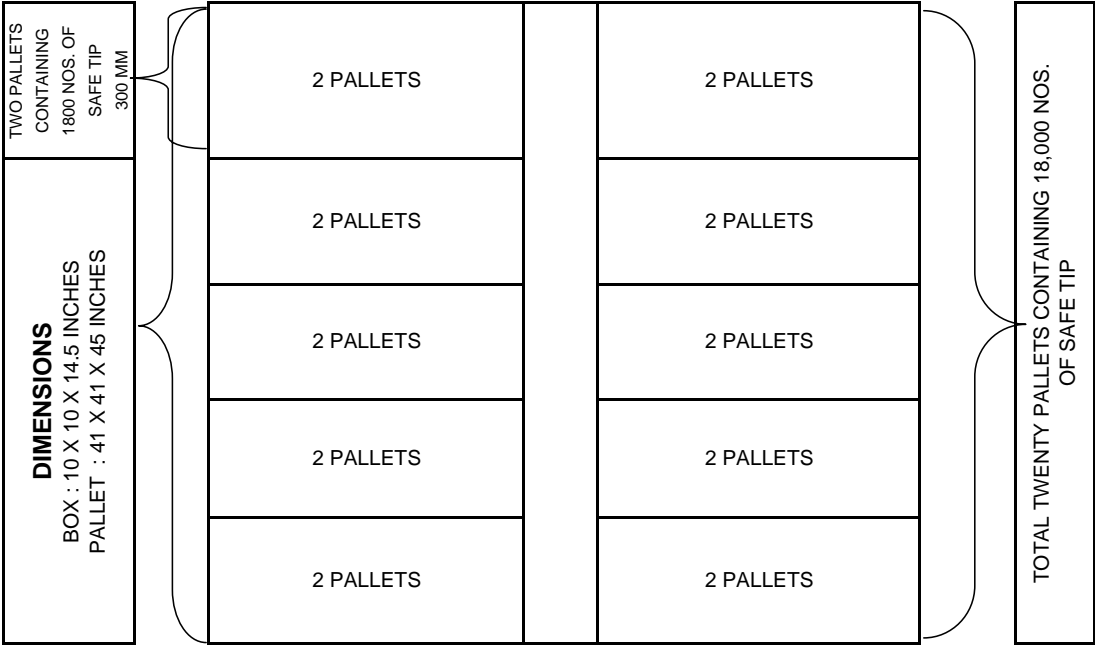
Ajay Syscon Private Limited
 (A Joint Venture with Syscon International Inc. U.S.A.)
 Survey No. 14771&2, Shembekar Industrial Compound
 Chinchwad, Pune - 411 019, India
 Tel. No. +91 20 2543 9582 / 2543 9583
 Fax No. +91 20 2543 9581
 E-mail : steel@metachem.in Website : www.metachem.in



9	X	4	36	X	25	=	900	
BOX		LAYER	BOXES /PALLET		NOS / BOX		NOS / PALLET	



B : 41"
L : 41"
LXBXH : 41 X 41 X 45 INCHES



20' GP - DOOR SIDE

TWO PALLETS
CONTAINING
1800 NOS. OF
SAFE TIP
300 MM

DIMENSIONS
BOX : 10 X 10 X 14.5 INCHES
PALLET : 41 X 41 X 45 INCHES

TOTAL TWENTY PALLETS CONTAINING 18,000 NOS.
OF SAFE TIP